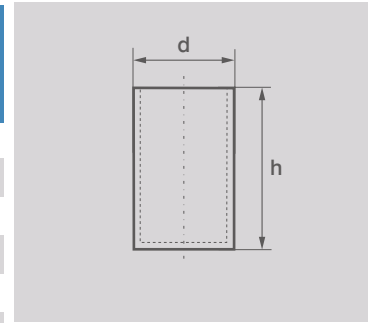


Cylindrical Crucibles



All crucibles are available with suitable lids.

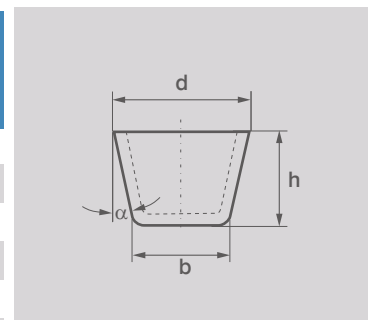
Type	Volume ml	d mm	h mm	Wall Thickness mm
GAZ M20	0,020	3,8	5,0	0,6
GAZ M25	0,025	6,0	3,3	1,0
GAZ M45	0,045	3,8	10	0,6
GAZ M95	0,095	5,0	8,0	0,5
GAZ M150	0,15	6,0	14,0	1,0
GAZ M220	0,22	8,0	12,8	1,5
GAZ M280	0,28	10,0	12,0	2,0
GAZ 006	0,6	13,3	14,5	2,5
GAZ 009	0,9	12,5	20	2,3
GAZ 02	1,3	14,4	18,2	2
GAZ 03	3,0	15,0	26	1,4
GAZ 03A	2,8	18,6	18,6	2
GAZ 05	5,0	15,9	55,0	3
GAZ 06	6,0	14,3	73,0	2
GAZ 1	9	25	37	3
GAZ 015	15	20	105	3
GAZ 2	20	30	45	3
GAZ A2	25	24	101	3
GAZ 3	27	36	43	3
GAZ 4	46	30	107	3
GAZ 5	50	37	80	4
GAZ 6	50	41	54	3
GAZ 7	60	37,0	80	2,5
GAZ 7A	73	44,0	80	5
GAZ 8	80	41,5	90	3,7
GAZ 10	91	40	99	3
GAZ 11	102	49	76	3
GAZ 12	127	50	85	3
GAZ 13	150	56	76	3
GAZ 14	141	49	100	3
GAZ 15	141	46	112	3
GAZ 26	300	74	82	3
GAZ 30	330	60	150	3
GAZ 35	350	67	128	3
GAZ 77	790	104	116	3
GAZ 92	920	88	175	3
GAZ 145	1500	105	200	3
GAZ 516	5160	160	280	3



Crucible Liners for Electron Beam Evaporation



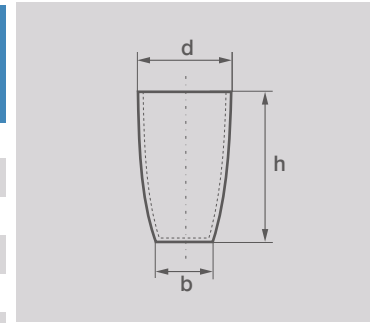
Type	Volume ml	d mm	b mm	h mm	Angle α °
GEB 02	1,8	21	10	10	30
GEB 07	4	29	22	15	15
GEB 1	8	34	24	18	15
GEB 2	10	38	28	20	15
GEB 3	16	47	37	18	15
GEB 4	30	50	35	26	15
GEB 5	30	51	38	27	15



Tapered Crucibles (Type K)



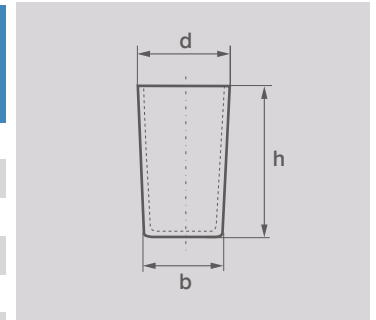
Type	Volume ml	d mm	b mm	h mm	Wall Thickness mm
GAK 1	8	31	17	30	3
GAK 2	17	35	18	38	3
GAK 3	35	44	23	48	3
GAK 6	67	52	26	56	3
GAK 10	116	70	34	55	3
GAK 15	143	64	33	76	3
GAK 120	1220	130	62	122	3
GAK 300	3000	174	88	175	3



Tapered Crucibles (Type T)



Type	Volume ml	d mm	b mm	h mm	Wall Thickness mm
GAT 007	0,07	6	4	11	1
GAT 2	17	30	26	43	2
GAT 3	18	24	15	85	2
GAT 4	37	50	42	30	3
GAT 6	64	45	44	58	3
GAT 10	105	60	49	60	3
GAT 13	131	50	48	90	3
GAT 19	190	45	41	168	3
GAT 28	227	73	68	85	3
GAT 32	320	73	70	100	3
GAT 34	370	69	52	133	2
GAT 55	550	85	75	130	3
GAT 95	945	106	98	135	3
GAT 302	3060	132	122	273	3

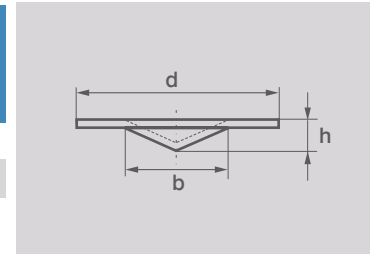


All crucibles are available with suitable lids.

Lids



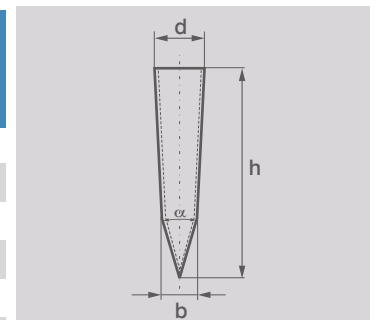
Type	d mm	b mm	h mm
GAD 1	37	23	8
GAD 2	50	36	8
GAD 3	90	71	17



Crystal Growth Crucibles



Type	Volume ml	d mm	b mm	h mm	Angle α °
GCG 07	7	14	14	102	90
GCG 16	16	20	18	120	120
GCG 25	25	19	19	140	60
GCG 30	28	23	19	160	30
GCG 100	95	36	36	185	30
GCG 125	125	40	38	150	90
GCG 320*	325	62	57	205	90
GCG 400	350	57	57	197	90

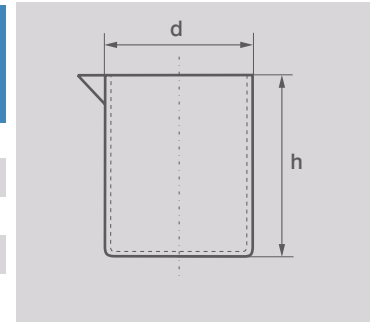


*With seed crystal channel

Beaker[®]



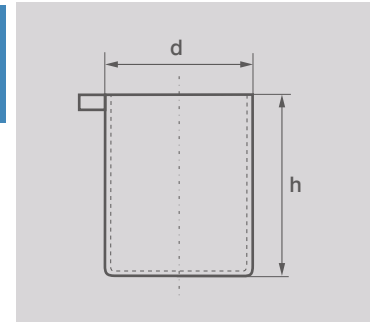
Type	Volume ml	d mm	h mm	Wall Thickness mm
GAB 3	38	38	50	3
GAB 5	50	39	59	3
GAB 10	115	54	70	3
GAB 25	275	74	82	3
GAB 40	430	90	86	3



Cylindrical Crucibles with Nozzle[®]



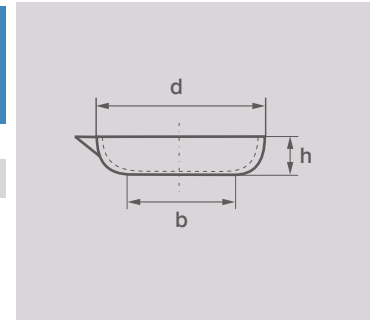
Type	Volume ml	d mm	h mm	Wall Thickness mm
GAZN 60	570	86	127	3



Evaporating Dishes[®]



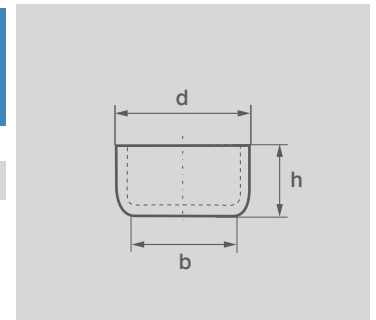
Type	Volume ml	d mm	b mm	h mm	Wall Thickness mm
GDK 10	150	106	74	25	3
GDK 30	350	141	65	38	3



Dishes[®]



Type	Volume ml	d mm	b mm	h mm	Wall Thickness mm
GEK 2	20	46	26	20	3
GEK 10	95	73	69	31	3

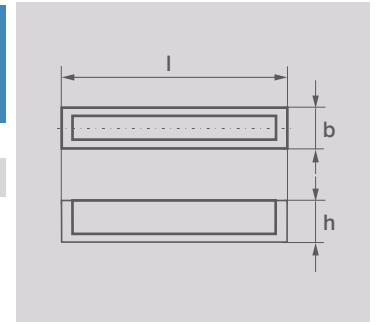


Boats

®

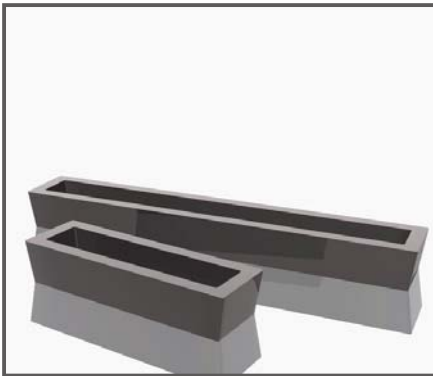


Type	Volume ml	l mm	b mm	h mm
GCH 5	40	76	33	25
GCH 13	130	306	26	25
GCH 130	1300	305	110	49

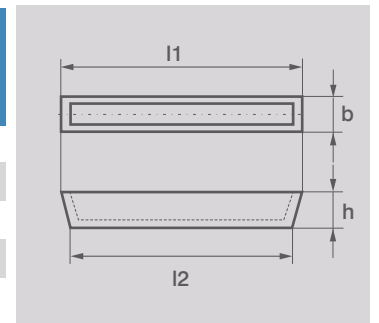


Boats

®



Type	Volume ml	l1 mm	l2 mm	b mm	h mm
GCH 02	2	29	28	16	10
GCH 03	3	53	50	16	10
GCH 1	10	103	100	16	10
GCH 2	15	119	117	22	12
GCH 14	140	127	122	59	30

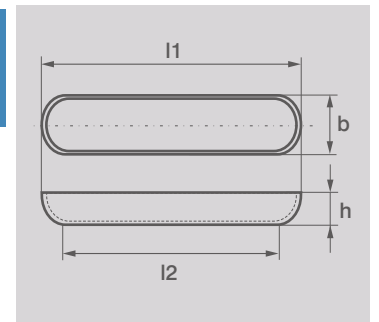


Boats

®



Type	Volume ml	l1 mm	l2 mm	b mm	h mm
GCH 29	290	300	240	55	30



Boats

®



Type	Volume ml	l mm	b mm	h mm
GCH 75	750	600	70	35
GCH 110	1100	830	70	35

